

Greko

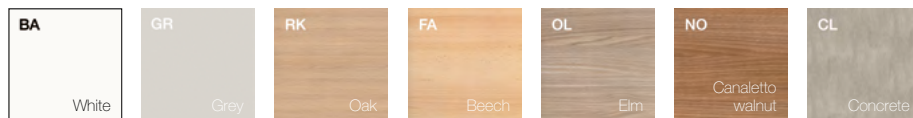


SPECIFICATION SHEET

TOPS

30 mm melamine faced chipboard (MFC) finished with 2 mm matching straight ABS impact resistant edges, easy to clean scratch-resistant anti-reflective melamine. MFC density 670/730 kgs per cubic meter.

Finish options:



METAL FRAMES

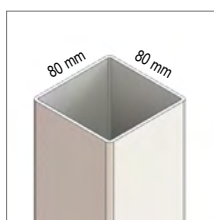
Cable managed legs made of epoxy powder painted 1.5 mm steel, 80x80mm square columns - Ø43 mm upper and lower round portholes on the inner side of both legs - the Mfc top is supported on 310x310mm mounting plates made of epoxy powder coated 3mm steel fitted on top of the columns - 580x580mm square footplates made of epoxy powder coated 8mm steel covered with protective 0.8 mm stainless steel - four anti-slide spacers.



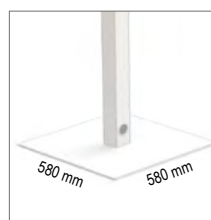
Finish options:



Beams are always supplied in a silver finish.



Cable managed column made from powder coated 1.5mm 80x80mm steel tube.



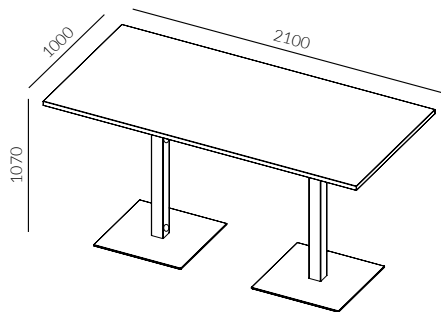
580x580mm base made from powder coated 8mm steel covered with protective 0.8mm stainless steel.



GREKO TABLE



SIZES



SUSTAINABILITY & CERTIFICATES



MATERIALS AND RECYCLABILITY

MFC panels used for Up&Up range tables are solely manufactured with 100% recycled wood and fully meet requisites of formaldehyde low emissions (E1 Quality Award Formaldehyde CATAS Certificate). Rasins used for panels and melamines are free of SVHC substances (to be found in the ECHA list updated as of 12/01/2017).



CERTIFICATES

Quadrifoglio Group is always looking for quality and respect for the environment in all of its production processes. Today Quadrifoglio Group is UNI EN ISO 9001:2000, UNI EN ISO 14001:2004, BS OHSAS 18001:2007 as well as FSC™ certified and Ecological Panel.

COMPANY WITH
MANAGEMENT SYSTEM
CERTIFIED BY DNV GL
= ISO 9001 =
= ISO 14001 =
= OHSAS 18001 =



GREEN ENERGY

The Company had installed the photovoltaic system with 4.500 solar panels in a 7.350 m² surface that covers almost entirely the factory. The photovoltaic is able to produce 1Mw of a quiet green energy, that does not harm the environment and is waste-free. With his high production capacity the photovoltaic allows us to reduce emissions in the atmosphere of all those polluting substances and to those that contribute to the greenhouse effects. Consequently, such measures make us save every year 180 tonne of petrol oil, 440 tonne of CO₂, 514kg of sulphur dioxide, 448 kg of nitrogen oxide and 23kg of dust.



TRANSPORT

Detachable systems. Volumes that facilitate the optimization of space. Maximum reduction of energy consumption by transport.